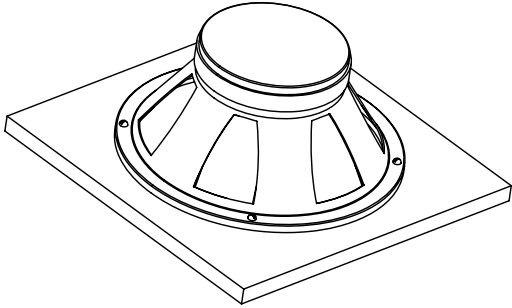
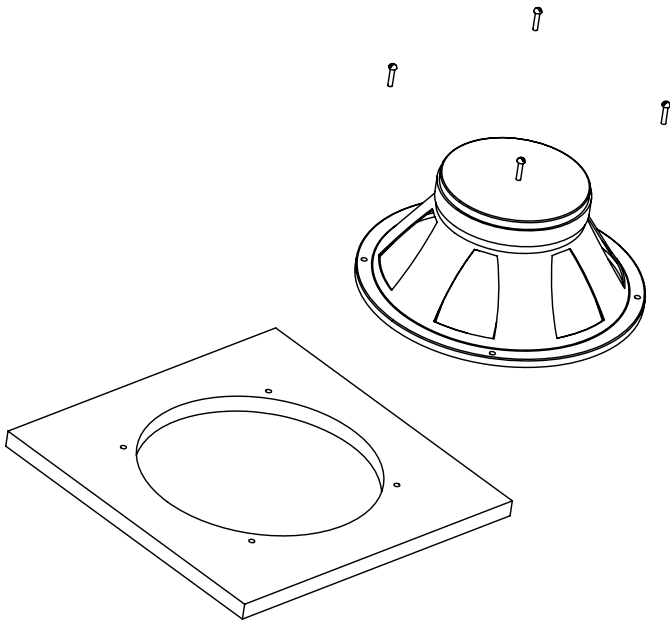


# Tone Bra Installation

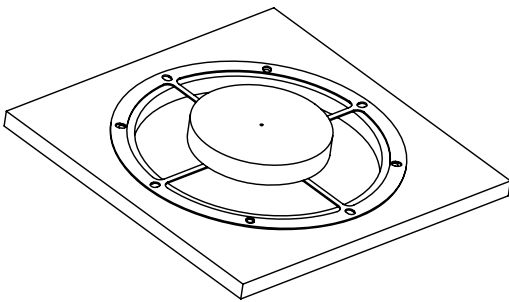
Rear Loaded



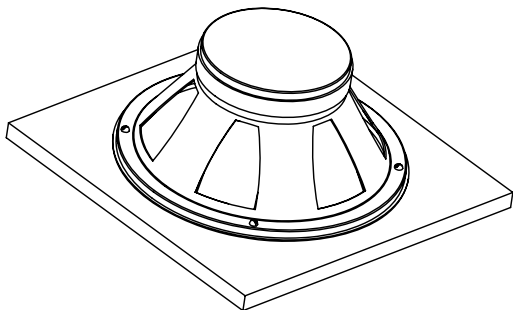
Step 1: Prepare cabinet by removing back panel and lying face down. Some cabinets may require the jack plate be removed to gain access the speakers.



Step 2: Remove the speaker and set to the side. Keep the wiring connected to the speaker if possible.



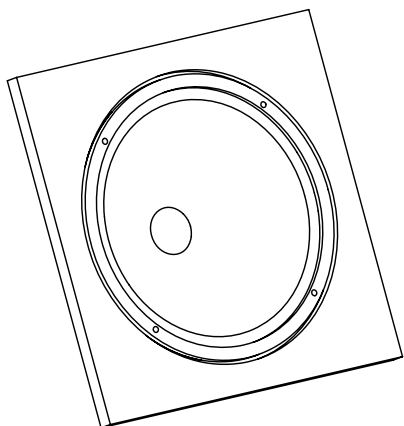
Step 3: Place the Tone Bra over the speaker hole. **The absorber should be facing toward the speaker, away from the baffle.** The mount should be as centered as possible on the speaker screw holes.



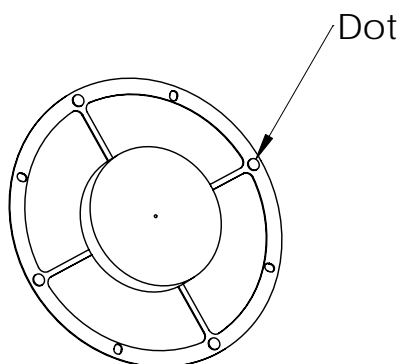
Step 4: Reinstall the speaker. Thread one speaker mounting screws in about half way. Check that the Tone Bra and speaker are as centered as possible. Install the second screw diagonal to the first screw. Recheck Tone Bra Alignment. Install remaining mounting screws. Be careful not to over-tighten the screws. The speaker basket should not be bent.

# Tone Bra Installation

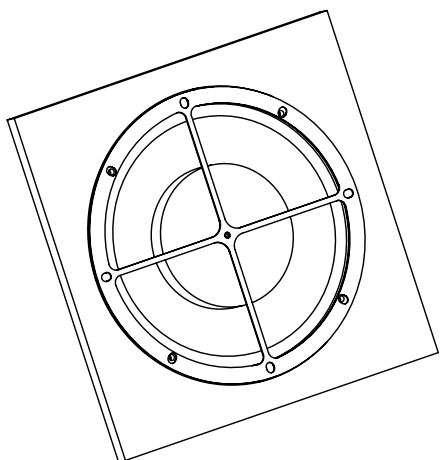
Front Loaded



Step 1: Prepare cabinet by removing front grill panel and lay cabinet in it's back revealing the speaker.



Step 2: Take the supplied double sided dots and attach to the rim of the mount at the end of each spoke. There should be a total of four dots.



Step 3: Remove the adhesive backing on the dots. **The absorber should be facing toward the speaker.** Center the mount to the speaker and lower the mount onto the speaker. Push down firmly where the dots are located. Replace the front grill panel.